

PSK Inverter Series

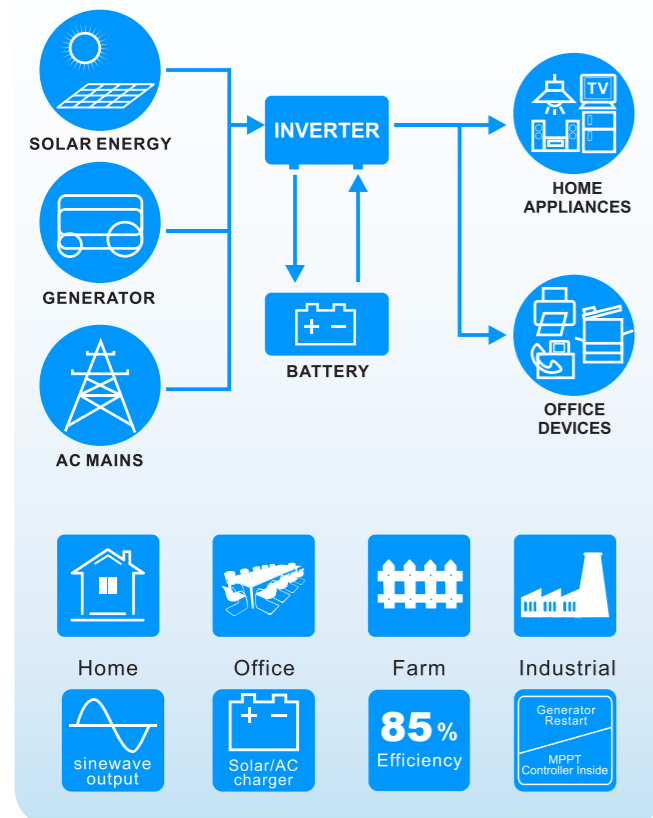
PSK is equipped with MPPT solar charge controller to maximize and regulate DC power from the solar array for charging the battery bank. Transformerless design provides reliable power conversion in compact size. Besides, it's worry-free to start up motor-type loads such as refrigerators, motors, pumps, compressors and laser printers as well as electronic loads like TVs, Computers, power tool and battery solar chargers.



Features

- ◆ Pure sine wave inverter.
- ◆ Built-in MPPT solar charge controller.
- ◆ Selectable input voltage range for home appliances and personal computers.
- ◆ Selectable charging current based on applications.
- ◆ Configurable AC/Solar input priority via LCD setting.
- ◆ Compatible to mains voltage or generator power.
- ◆ Auto restart while AC is recovering.
- ◆ Overload and short circuit protection.
- ◆ Smart battery charger design for optimized battery performance.
- ◆ Cold start function.
- ◆ Parallel operation with up to 6 units only available for 4KVA/5KVA.
- ◆ Optional Remote Control Panel available.

Application

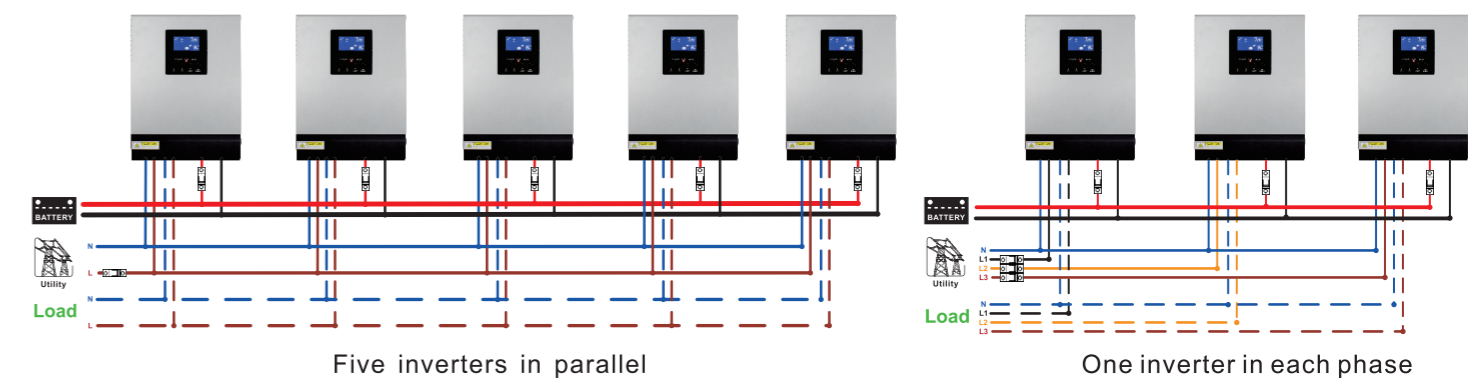


PSK Inverter Series

Specifications

Pure Sine Wave charger inverter

| Model | | PSK4000-48 | PSK5000-48 | |
|---------------------------------------|------------------------------------|---|---------------|--|
| | Nominal Power | 4000VA/3200W | 5000VA/4000W | |
| AC Input | Nominal input Voltage | 230VAC | | |
| | Low Line Disconnect | 170Vac±4%(Normal); 90Vac±4%(Wide&Gen) | | |
| | Low Line Re-connect | 180Vac±4%(Normal); 100Vac±4%(Wide&Gen) | | |
| | High Line Disconnect | 280Vac±4%(Normal);280Vac±4%(Wide&Gen) | | |
| | High Line Re-connect | 275Vac±4%(Normal);275Vac±4%(Wide&Gen) | | |
| | MAX AC input Voltage | Max:300VAC | | |
| | Frequency | 50Hz/60Hz(Auto detection) | | |
| AC Output | AC Voltage Regulation (Batt. Mode) | 230VAC ± 5% | | |
| | Output Voltage Waveform | Pure sine wave | | |
| | Surge Power | 8000VA | 10000VA | |
| | Transfer Time | 10 ms (For Personal Computers); 20 ms (For Home Appliances) | | |
| | Full load efficiency | 105%~150% 45S~25S; 150%~200% 25s~300ms; ≥200% 200ms | | |
| | Current Crest Ratio | 93% | | |
| | Solar Charger & Ac Charger | Maximun PV Array Power | 4000W | |
| | | MPPT Range @ Operating Voltage | 60VDC ~115VDC | |
| Maximum PV Array Open Circuit Voltage | | 145VDC | | |
| Maximum Solar Charge Current | | 80A | | |
| Maximum AC Charge Current | | 60A | | |
| Maximum Charge Current | | 140A | | |
| Standby Power Consumption | | 2A | | |
| Efficiency | | 98% | | |
| Battery & Ac Charger | | Battery Voltage | 48 VDC | |
| | Floating Charge Voltage | 54 VDC | | |
| | Overcharge Protection | 60 VDC | | |
| | General Specifications | Operating Temperature Range | 0°C to 55°C | |
| Storage Temperature | | -15°C ~ 55°C | | |
| Operation Humidity | | 5% to 95% Relative Humidity(Non-condensing) | | |
| L*W*H (mm) | | 120*295*468mm | | |
| Net Weight (Kg) | | 11.0kg | | |



◆ Product specifications are subject to change without further notice.